

Chassis

## Aluminum Panel Chassis



### Design Features

Fastens to mounting rails in racks. Can be used as a vertical chassis where depth is limited or where front service is required. Design Features: .050" thick aluminum alloy. Panel depth 5.28" Finish: Natural Finish

[Click on Image for Larger View](#)

Aluminum Panel Chassis				
Catalog Number	Drawings	Height	Wgt Lbs.	
CB-1370	<a href="#">PDF</a> <a href="#">DXF</a>	1.75"	.75	
CB-1371	<a href="#">PDF</a> <a href="#">DXF</a>	3.50"	1.25	
CB-1372	<a href="#">PDF</a> <a href="#">DXF</a>	5.25"	1.50	
CB-1373	<a href="#">PDF</a> <a href="#">DXF</a>	7.00"	2.00	
CB-1374	<a href="#">PDF</a> <a href="#">DXF</a>	8.75"	2.25	
CB-1375	<a href="#">PDF</a> <a href="#">DXF</a>	10.50"	2.75	
CB-1376	<a href="#">PDF</a> <a href="#">DXF</a>	12.25"	3.00	
CB-1377	<a href="#">PDF</a> <a href="#">DXF</a>	14.00"	3.25	

[DXF](#) Autocad DXF Specifications File  
(Requires CAD software such as AutoCAD)

[PDF](#) Adobe PDF Specifications File



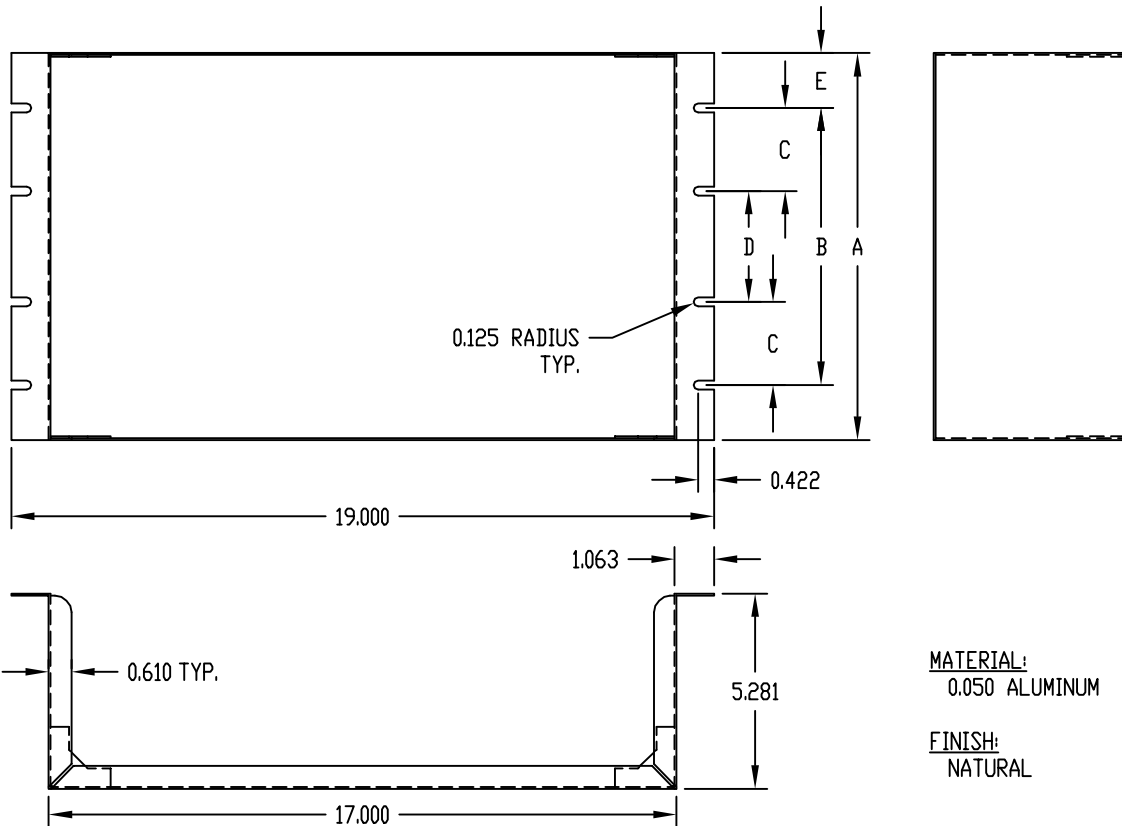
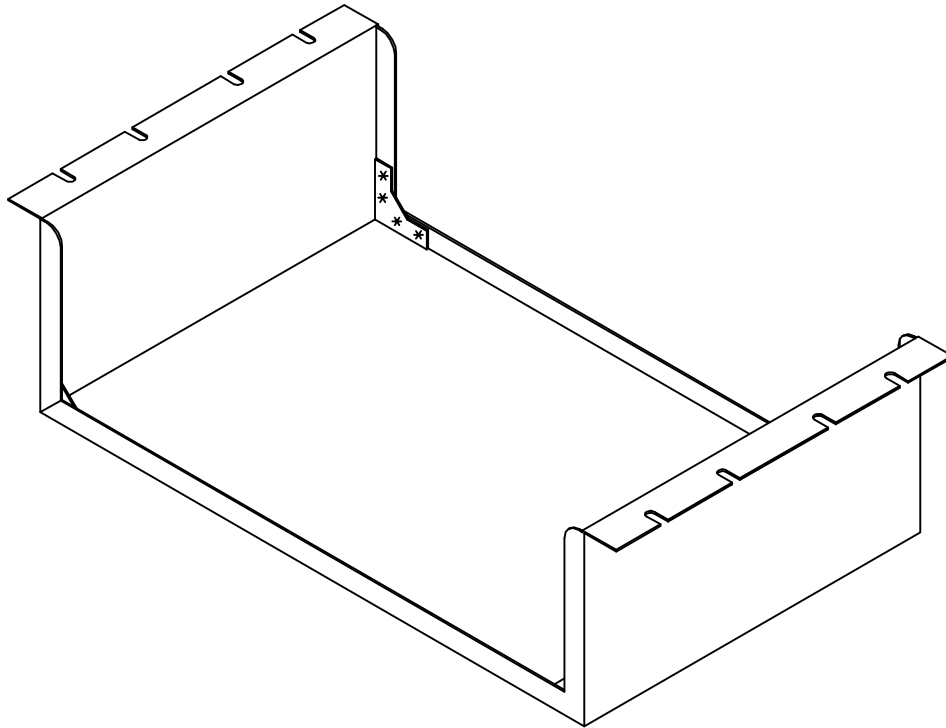
[Download PDF Viewer](#)

PART NAME

PANEL CHASSIS

PART No.

CB-1370 THRU CB-1377



PART No.	A	B	C	D	E
CB-1370	1.750	1.250	-----	-----	0.234
CB-1371	3.500	3.000	-----	-----	0.234
CB-1372	5.250	2.250	-----	-----	1.484
CB-1373	7.000	4.000	-----	-----	1.484
CB-1374	8.750	5.750	-----	-----	1.484
CB-1375	10.500	-----	2.250	3.000	1.484
CB-1376	12.250	-----	3.500	2.250	1.484
CB-1377	14.000	-----	4.000	3.000	1.484